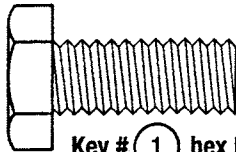


Assembly Instructions

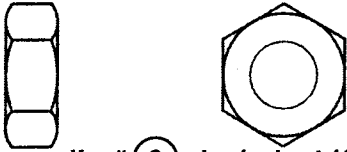
WT46 Olympic Weight Tree

WT46 Hardware

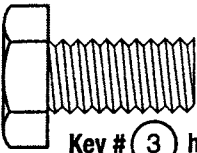
(shown in actual size)



Key # ① hex bolt 10mm x 25mm full thread QTY. 3



Key # ② standard nut 10mm QTY. 3



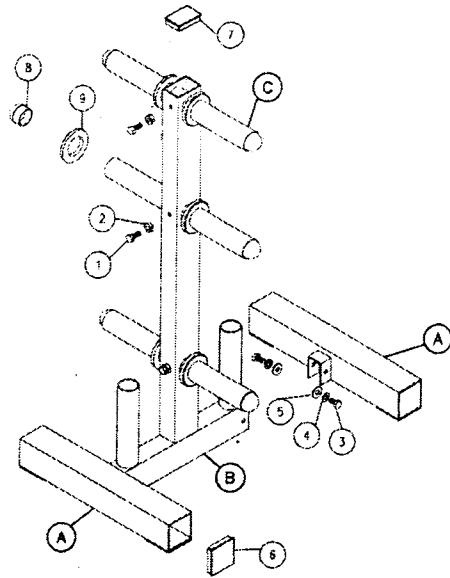
Key # ③ hex bolt 10mm x 20mm full thread QTY. 4



Key # ④ spring lock washer 10mm QTY. 4



Key # ⑤ flat washer 10mm QTY. 4



A. Install both legs (A) to vertical mainframe (B) first. Finger tighten only.

B. Carefully thread hex bolt (1) thru standard nut (2) and then into internally threaded hole of vertical mainframe (B).

Note: Make sure that hex bolt (1) goes into the hole of the chrome oly tube (C). Wrench tighten hex bolt (1) first and then wrench tighten standard nut (2) last.

C. Place the weight tree in the place you plan to keep it, manually adjust both legs (A) to be flat on the floor and the vertical mainframe to be in a vertical position. You should now wrench tighten all four hex bolts (3).

D. Install other parts as shown above.

Note: If any bolts seem to loosen periodically, use Loctite 242 for a long-term cure.

WT46 Hardware List

KEY#	QTY	PART#	DESCRIPTION
1	3	HEX1025FTB	HEX BOLT 10mm x 25mm FULL THREAD
2	3	SNUT10	STANDARD NUT 10mm
3	4	HEX1020FTB	HEX BOLT 10mm x 20mm FULL THREAD
4	4	WSW10	SPRING WASHER 10mm
5	4	WFLT1030	FLAT WASHER 10mm
6	4	PSEC33	PLASTIC SQUARE END CAP 3"X3"
7	1	PSEC23	PLASTIC SQUARE END CAP 2"X3"
8	6	BC2	PLASTIC BALL END CAP 2"
9	6	RDOP2	RUBBER DONUT (FOR OLYMPIC WEIGHT POST)

WT46 Parts List

KEY#	QTY	PART#	DESCRIPTION
A	2	WT46A	LEG
B	1	WT46B	VERTICAL MAINFRAME
C	3	WT46C	18" CHROME OLY TUBE

Part numbers are required when ordering parts.