

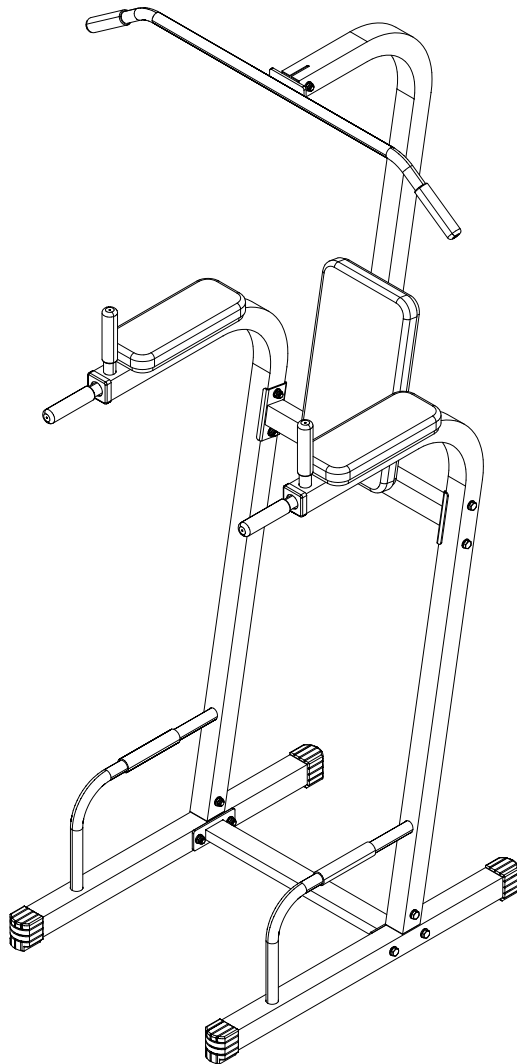
POWERLINE USA

by *Body-Solid*

PVKC-83X

VERTICAL KNEE RAISE

OWNER'S MANUAL



WWW.BODYSOLID.COM

V 020911.A

THERE IS A RISK ASSUMED BY INDIVIDUALS WHO USE THIS TYPE OF EQUIPMENT. TO MINIMIZE RISK, YOU MUST FOLLOW THESE RULES:

Inspect equipment before each workout. Check that all nuts, bolts, screws and pop pins are in place and fully tightened. Also, before use, check cables for sign of wear. Replace all worn parts immediately. Never use machine if any parts are damaged or missing.

FAILURE TO FOLLOW THESE RULES MAY RESULT IN SERIOUS INJURY.

Keep clear of the cables and all moving parts when machine is in use.

Always make sure all Snap Links are closed when doing cable/pulley/strap exercises.

Exercise with care. Perform your exercises at a smooth moderate pace; never perform jerky or uncoordinated movements that may cause injury.

It is recommended that you workout with a training partner.

Do not allow children or minors to play on or around this equipment.

If unsure of proper use of equipment, call your local Body-Solid distributor or the Body-Solid customer service center at 1-800-556-3113.

WARNING: Consult your physician before starting your exercise program. For your own safety, do not begin any exercise program without proper instruction.

WARNING

Safety and Maintenance of Cables

IMPORTANT: Cables are wear items. It is your responsibility to prevent unexpected breakage.

Cable inspection should be performed daily.

Inspect all cables, the nylon coating on all cables, and the area near the fitting at each end of each cable.

Replace any damaged or worn cable immediately.

Do not allow the machine to be used until damaged or worn cables are replaced. Using or allowing a machine to be used with a suspect cable can result in serious injury. See Owner's Manual for more information.

For Body-Solid Customer Service
Call 1-800-556-3113

**DO NOT REMOVE WARNING LABELS FROM
MANUAL OR MACHINE**

PVKC-83X

TABLE OF CONTENTS

- **SAFETY INSTRUCTIONS.....PAGE 4**
- **PREPARATION..... PAGE 5**
- **HARDWARE LIST..... PAGE 6**
- **HARDWARE ILLUSTRATION..... PAGE 7**
- **PART LIST / ILLUSTRATION.....PAGE 9**
- **ASSEMBLY INSTRUCTIONS..... PAGE 12**
- **EXPLODED VIEW..... PAGE 18**
- **CONTACT PAGE.....PAGE 20**

PVKC-83X

SAFETY INSTRUCTIONS

**WHEN USING EXERCISE EQUIPMENT,
YOU SHOULD ALWAYS TAKE BASIC
PRECAUTIONS INCLUDING THE
FOLLOWING:**

- Read all instructions before using the PVKC-83X. These instructions are written to ensure your safety and to protect the unit.
- **Do not remove any safety labels from the machine.**
- Do not allow children on or near the equipment.
- Use the equipment only for its intended purpose as described in this guide. Do not use accessory attachments that are not recommended by the manufacturer. Such attachments might cause serious injuries.
- Wear proper exercise clothing and shoes for your workout, no loose clothing.
- Keep hands, limbs, loose clothing, and long hair well out of the way of all moving parts
- Use care when getting on or off the unit.
- Do not overexert yourself or work to exhaustion.
- If you feel any pain or abnormal symptoms, stop your workout immediately and consult your physician.
- Never operate unit when it has been dropped or damaged. Return the equipment to a service center for examination and repair.
- Never drop or insert objects into any opening in the equipment.
- Always check the unit and its cables before each use. Make sure that all fasteners and cables are secure and in good working condition.
- Do not use the equipment outdoors or near water.

PERSONAL SAFETY DURING ASSEMBLY

- Before beginning assembly, please take the time to read the instructions thoroughly.
- Read each step in the assembly instructions and follow the steps in sequence. Do not skip ahead. If you skip ahead, you may learn later that you have to disassemble components and that you may have damaged the equipment
- Assemble and operate the PVKC-83X on a solid, level surface. Locate the unit a few feet from the walls or furniture to provide easy access.

The PVKC-83X is designed for your enjoyment. By following these precautions and using common sense, you will have many safe and pleasurable hours of healthful exercise with your Powerline Vertical Knee Raise.

After assembly, you should check all functions to ensure correct operation. If you experience problems, first recheck the assembly instructions to locate any possible errors made during assembly. If you are unable to correct the problem, call the dealer from whom you purchased the machine or call 1-800-556-3113 for the dealer nearest you.

OBTAINING SERVICE

Please use this Owner's Manual to make sure that all parts have been included in your shipment. When ordering parts, you must use the part number and description from this Owner's Manual. Use only Powerline by Body Solid replacement parts when servicing this machine. Failure to do so will void your warranty and could result in personal injury.

For information about product operation or service, check out the official Powerline website at www.bodysolid.com or contact an authorized Powerline dealer or a Powerline factory-authorized service company or contact Body-Solid customer service at one of the following:

Toll Free: 1-800-556-3113
Phone: 1-708-427-3555
Fax: 1-708-427-3556
Email: service@bodysolid.com

Or write to: Body-Solid, Inc.
Service Department
1900 S. Des Plaines Ave.
Forest Park, IL 60130 USA

**RETAIN THIS OWNER'S MANUAL FOR
FUTURE REFERENCE. PART NUMBERS
ARE REQUIRED WHEN ORDERING PARTS.**

PVKC-83X

PREPARATION

REQUIRED TOOLS

The basic tools that you must obtain before assembling the PVKC-83X include but are not limit to:

- Standard Wrench Set
- Metric Wrench Set
- Adjustable Wrench
- Standard / Metric Allen Key Set

INSTALLATION REQUIREMENTS

Follow these installation requirements when assembling the PVKC-83X:

Set up the PVKC-83X on a solid, flat surface. A smooth, flat surface under the machine helps keep it level.

Provide ample space around the machine. Open space around the machine allows for easier access.

For aesthetic purposes, insert all bolts in the same direction unless specified (in text or illustrations) to do otherwise.

Leave room for adjustments. Tighten fasteners such as bolts, nuts, and screws so the unit is stable, but leave room for adjustments. Do not fully tighten fasteners until instructed in the assembly steps to do so.

Fill out and mail the warranty card.

ORDERING REPLACEMENT PARTS

If you need to order replacement parts please be prepared to provide the following information when contacting us so that we can assist you better.

1. Model Number
2. Place of Purchase
3. Serial Number (S/N)
4. Part # and Description

ASSEMBLY TIPS

Read all "Notes" on each page before beginning each step.

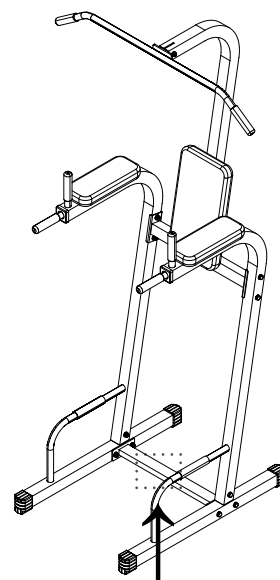
While you may be able to assemble the PVKC-83X using the illustrations only, important safety notes and other tips may be included in the text.

Some pieces may have extra holes that you will not use. Use only those holes indicated in the instructions and illustrations.

NOTE: With so many assembled parts, proper alignment and adjustment is critical. While tightening the nuts and bolts, be sure to leave room for adjustments.

NOTE: The bottles that are marked "Poison" is your touch up paint. Keep away from children.

CAUTION: Obtain assistance! If you feel like you can't assemble the PVKC-83X by yourself then do not attempt to do so as this could result in injury. Review the Installation Requirements before proceeding with the following steps.



**YOUR S/N # CAN
BE FOUND HERE**

PVKC-83X

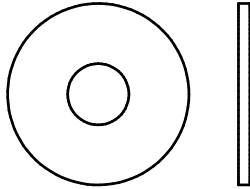
HARDWARE LIST

<u>PART #</u>	<u>SIZE</u>	<u>DESCRIPTION</u>	<u>QUANTITY</u>
1	M10X70mm	HEX HEAD BOLT	8 PCS.
2	M10X65mm	HEX HEAD BOLT	5 PCS.
3	5/16"X2 3/4"	HEX HEAD BOLT	6 PCS.
4	M10	NYLON LOCK NUT	13 PCS.
5	M10	WASHER	24 PCS.
6	5/16"	WASHER	6 PCS.
7	5/16"	SPRING WASHER	6 PCS.
8	M10X25mm	ALLEN HEAD BOLT	2 PCS.
9	2"X2"	FOOT CAP	4 PCS.
10	2"X2"	END CAP	2 PCS.
11	Ø1"X5"	RUBBER GRIP	6 PCS.
12	Ø1"X6"	FOAM ROLLER	2 PCS.
13	M10X16mm	ALLEN HEAD BOLT	4 PCS.

PVKC-83X

HARDWARE ILLUSTRATION CONT.

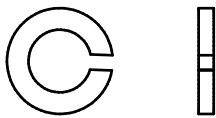
PART #6



5/16" WASHER

QTY. 6

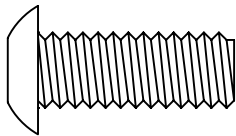
PART #7



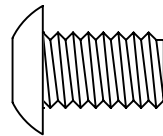
5/16" SPRING WASHER

QTY. 6

PART #8 / #13



= 2 PCS.

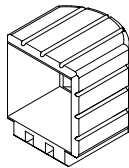


= 4 PCS.

M10 ALLEN HEAD BOLT

QTY. 6

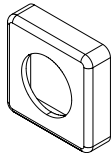
PART #9



2"X2" FOOT CAP

QTY. 4

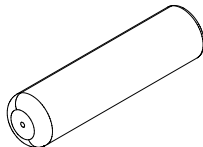
PART #10



2"X2" END CAP

QTY. 2

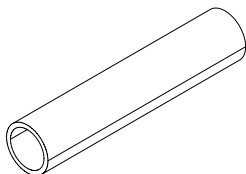
PART #11



1"DIA.X5" RUBBER GRIP

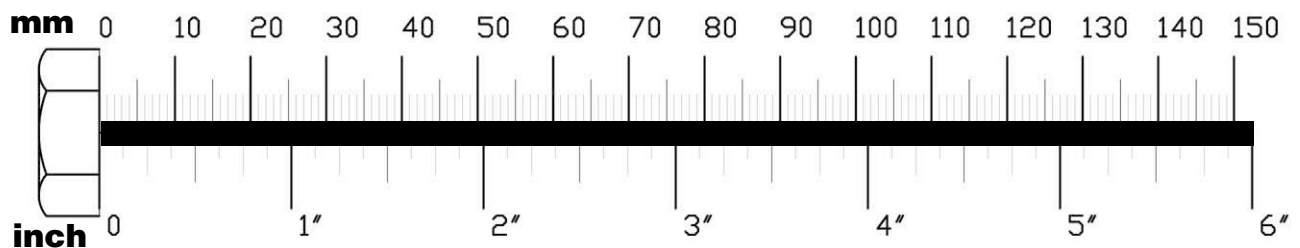
QTY. 6

PART #12



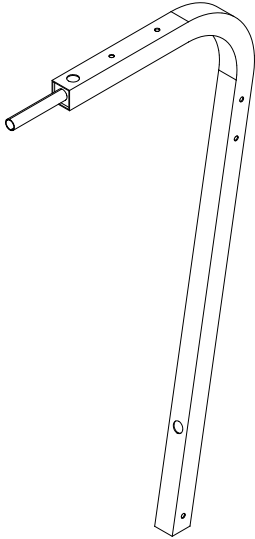
1"DIA.X6" RUBBER GRIP

QTY. 2

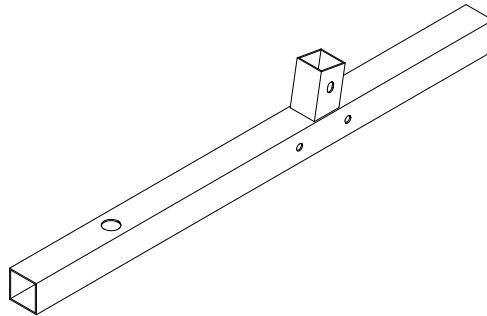


PVKC-83X

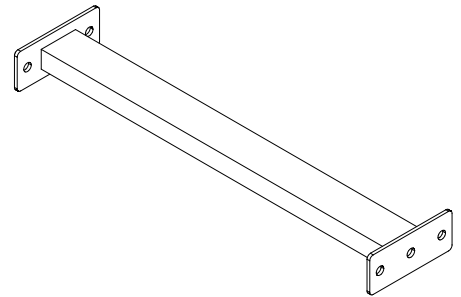
PART LIST



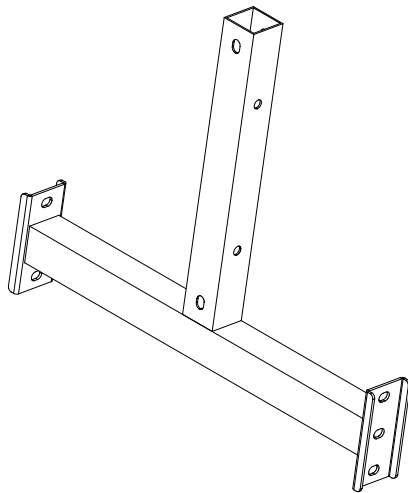
PART A
DIP FRAME
[2PCS]



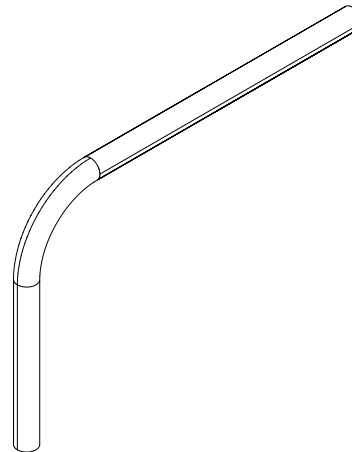
PART B
BASE FRAME
[2PCS]



PART C
SUPPORT FRAME
[1PCS]



PART D
BACK FRAME
[1PCS]



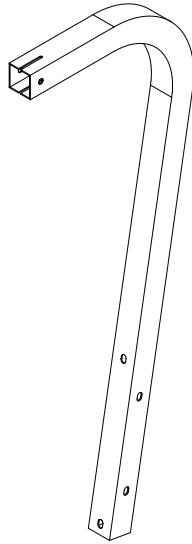
PART E
PUSH-UP BAR
[2PCS]

PVKC-83X

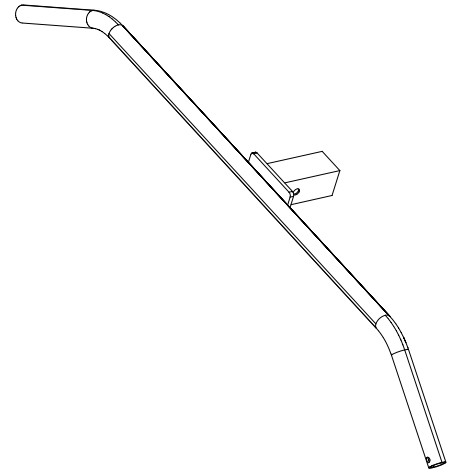
PART LIST CONT.



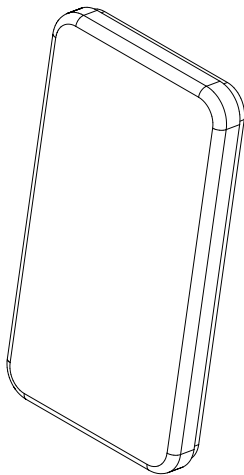
PART F
HANDLE BARS
[2PCS]



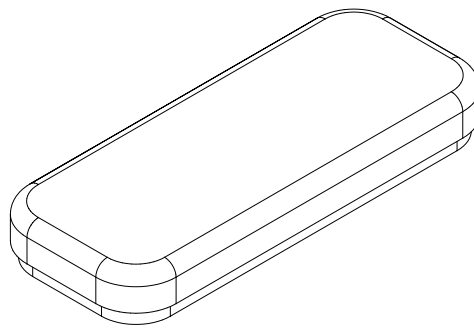
PART G
PULL-UP FRAME
[1PCS]



PART H
PULL-UP BAR
[1PCS]



PART I
BACK PAD
[1PCS]



PART J
ARM PAD
[2PCS]

PVKC-83X

NOTES

PVKC-83X

STEP 1

BE CAREFUL TO ASSEMBLE ALL COMPONENTS IN THE SEQUENCE THAT THEY ARE PRESENTED.

NOTE:

FINGER TIGHTEN ALL HARDWARE IN THIS STEP. DO NOT WRENCH TIGHTEN UNTIL THE LAST STEP. SOME COMPONENTS MAY BE PRE-ASSEMBLED.

NYLON LOCK NUTS WILL NOT FULLY SCREW ONTO BOLTS, MUST WRENCH TIGHTEN.

1 A. ATTACH SUPPORT FRAME (C) TO BOTH BASE FRAME (B)

USING:

4 - (#1) M10X70MM HEX HEAD BOLT

4 - (#5) M10 WASHER

4 - (#4) M10 NYLON LOCK NUT

1 B. SLIDE ONE FOAM ROLLER ONTO EACH PUSH-UP BAR (E)

USING:

2 - (#12) 1" DIA.X6" FOAM ROLLER

1 C. ATTACH ONE PUSH-UP BAR (E) TO EACH DIP FRAME (A)

USING:

2 - (#8) M10X25MM ALLEN HED BOLT

2 - (#5) M10 WASHER

1 D. ATTACH BOTH PUSH-UP BAR (E) AND DIP FRAME (A) TO EACH BASE FRAMES (B) USING:

2 - (#13) M10X16MM ALLEN HEAD BOLT...USE FOR PART (E)

2 - (#2) M10X65MM HEX HEAD BOLT...USE FOR PART (A)

6 - (#5) M10 WASHER

2 - (#4) M10 NYLON LOCK NUT

1 E. ATTACH BOTH DIP FRAMES (A) TO BACK FRAME (D) USING:

4 - (#1) M10X70MM HEX HEAD BOLT

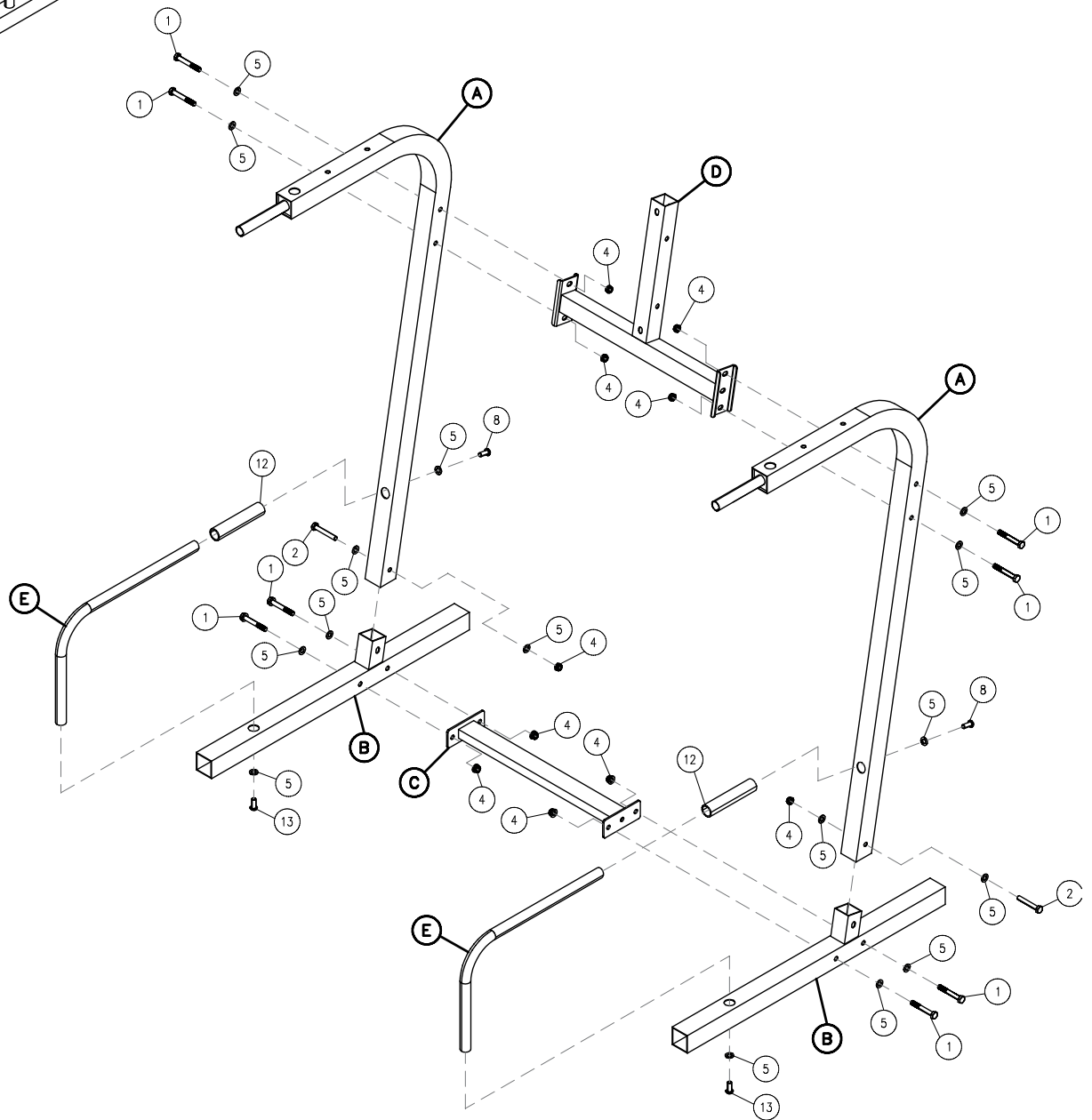
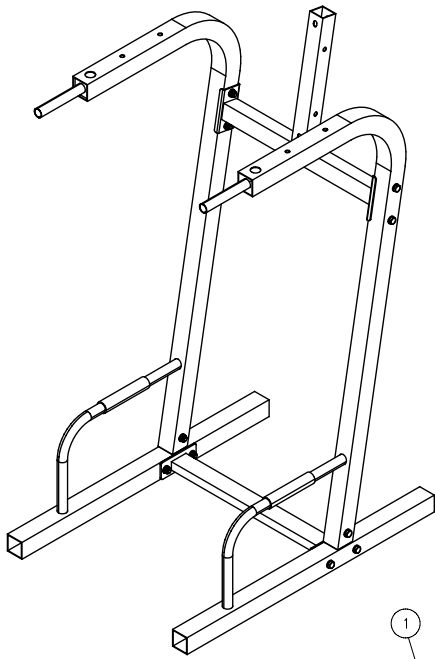
4 - (#5) M10 WASHER

4 - (#4) M10 NYLON LOCK NUT

PVKC-83X

STEP 1

TO THE LEFT SHOWS STEP 1
ASSEMBLED AND COMPLETED



PVKC-83X

STEP 2

BE CAREFUL TO ASSEMBLE ALL COMPONENTS IN THE SEQUENCE THAT THEY ARE PRESENTED.

NOTE:

FINGER TIGHTEN ALL HARDWARE IN THIS STEP. DO NOT WRENCH TIGHTEN UNTIL THE LAST STEP. SOME COMPONENTS MAY BE PRE-ASSEMBLED.

NYLON LOCK NUTS WILL NOT FULLY SCREW ONTO BOLTS, MUST WRENCH TIGHTEN.

2A. ATTACH ONE HANDLE BAR (F) TO EACH DIP FRAME (A) USING:

2 - (#13) M10X16MM ALLEN HEAD BOLT

2 - (#5) M10 WASHER

2B. ATTACH ONE RUBBER GRIP ONTO EACH HANDLE BAR (F) USING:

2 - (#11) 1"DIA.X5" RUBBER GRIP

2C. ATTACH ONE ARM PAD (J) TO EACH DIP FRAME (A) USING:

4 - (#3) 5/16"X2 3/4" HEX HEAD BOLT

4 - (#7) 5/16" SPRING WASHER

4 - (#6) 5/16" WASHER

2D. INSERT ONE END CAP FOLLOWED BY ONE RUBBER GRIP ONTO THE ENDS OF EACH DIP FRAME (A) USING:

2 - (#10) 2"X2" END CAP

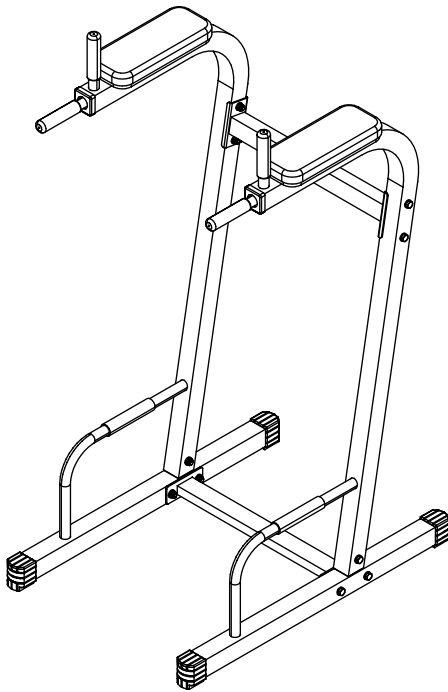
2 - (#11) 1"DIA.X5" RUBBER GRIP

2E. INSERT FOOT CAPS ONTO EACH END OF BOTH BASE FRAMES (B) USING:

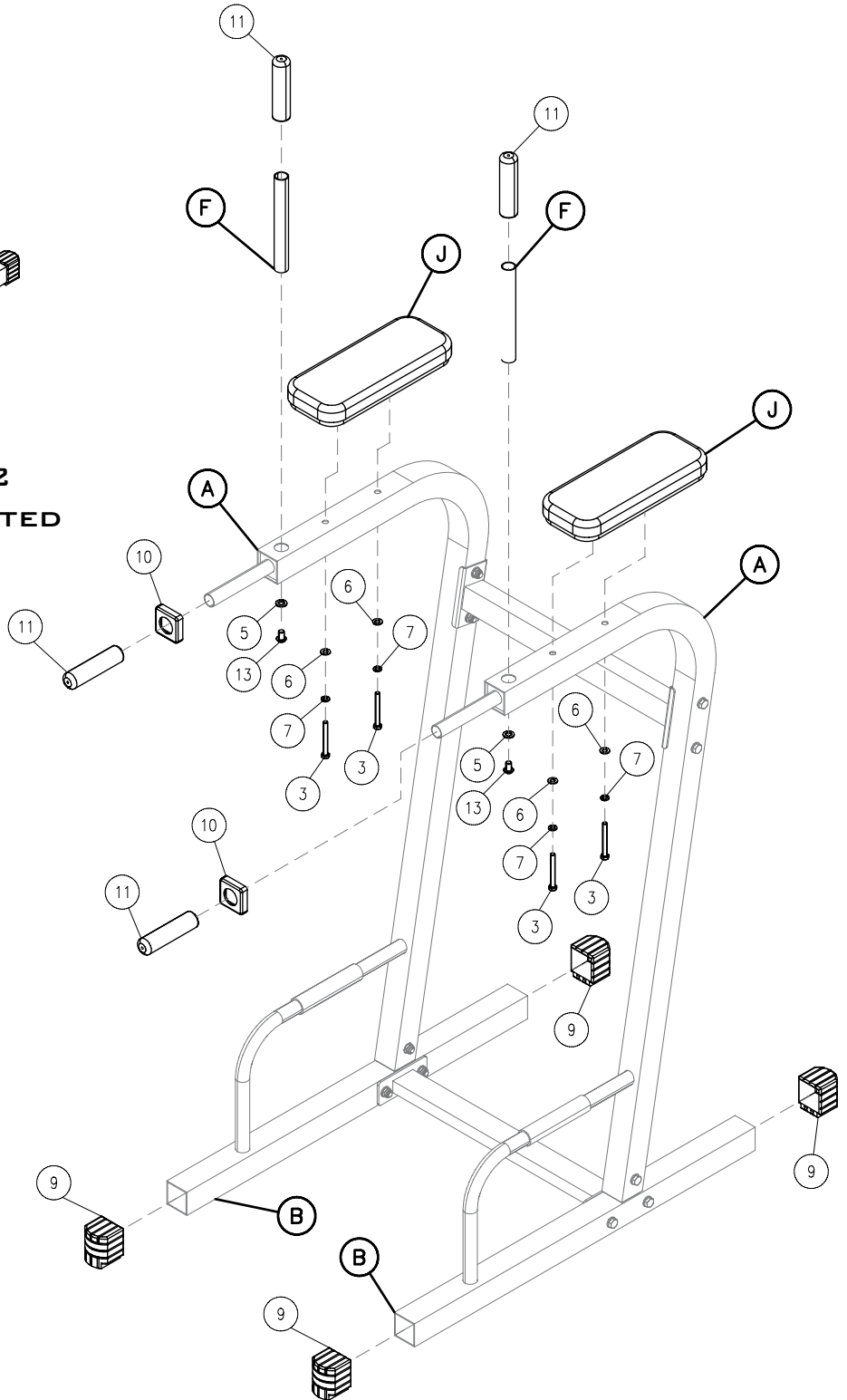
4 - (#9) 2"X2" FOOT CAP

PVKC-83X

STEP 2



ABOVE SHOWS STEP 2
ASSEMBLED AND COMPLETED



PVKC-83X

STEP 3

BE CAREFUL TO ASSEMBLE ALL COMPONENTS IN THE SEQUENCE THAT THEY ARE PRESENTED.

NOTE:

FINGER TIGHTEN ALL HARDWARE IN THIS STEP. DO NOT WRENCH TIGHTEN UNTIL THE LAST STEP. SOME COMPONENTS MAY BE PRE-ASSEMBLED.

NYLON LOCK NUTS WILL NOT FULLY SCREW ONTO BOLTS, MUST WRENCH TIGHTEN.

3A. ATTACH PULL-UP FRAME (G) TO BACK FRAME (D) USING:

2 - (#2) M10X65MM HEX HEAD BOLT

4 - (#5) M10 WASHER

2 - (#4) M10 NYLON LOCK NUT

3B. ATTACH BACK PAD (I) TO PULL-UP FRAME (G) USING:

2 - (#3) 5/16"X2 3/4" HEX HEAD BOLT

2 - (#7) 5/16" SPRING WASHER

2 - (#6) 5/16" WASHER

3C. INSERT RUBBER GRIPS ONTO EACH END OF PULL-UP BAR (H) USING:

2 - (#11) 1"DIA.X5" RUBBER GRIP

3D. ATTACH PULL-UP BAR (H) TO PULL-UP FRAME (G) USING:

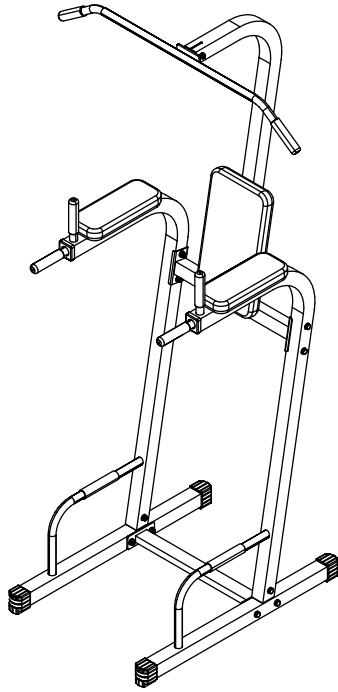
1 - (#2) M10X65MM HEX HEAD BOLT

2 - (#5) M10 WASHER

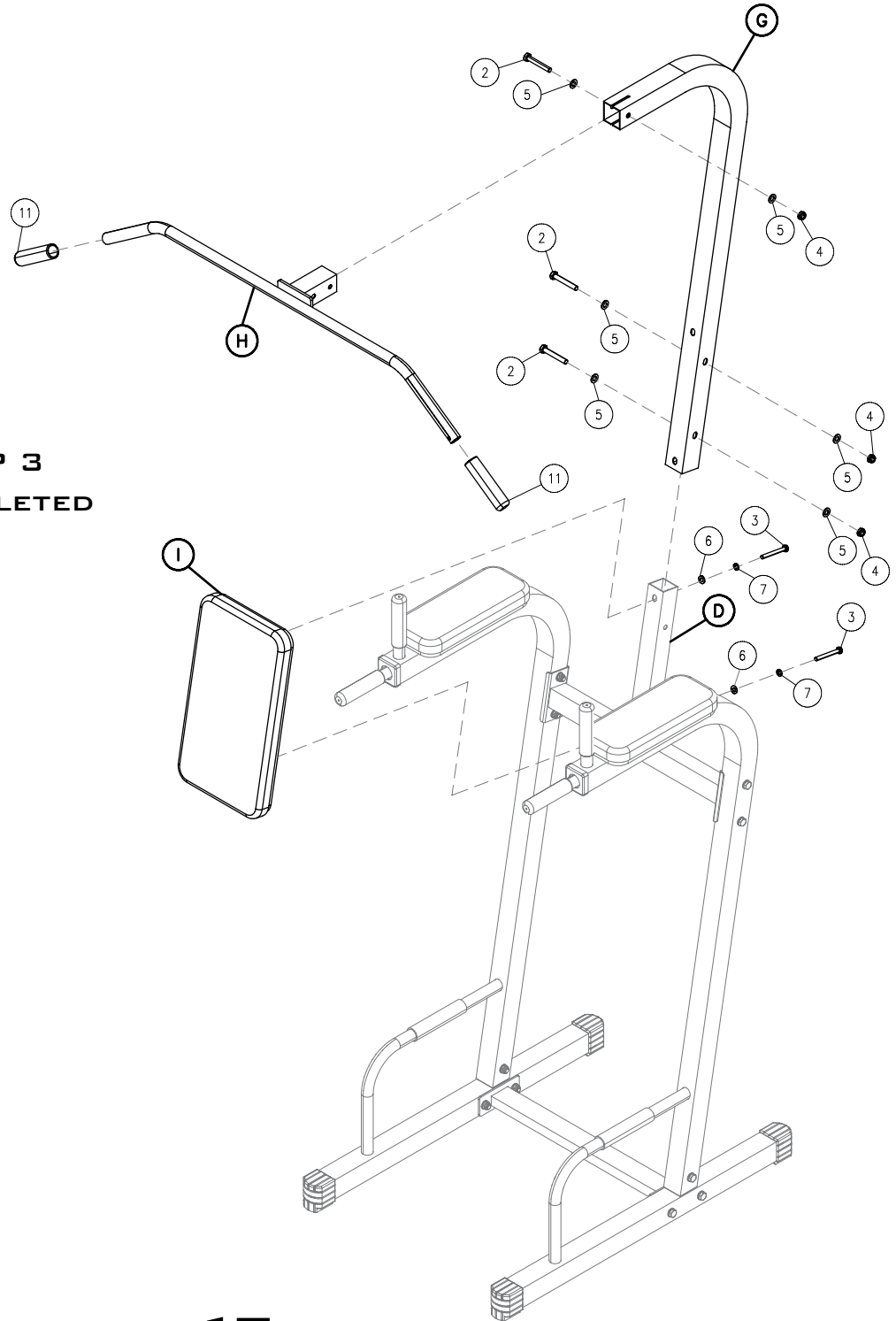
1 - (#4) M10 NYLON LOCK NUT

PVKC-83X

STEP 3

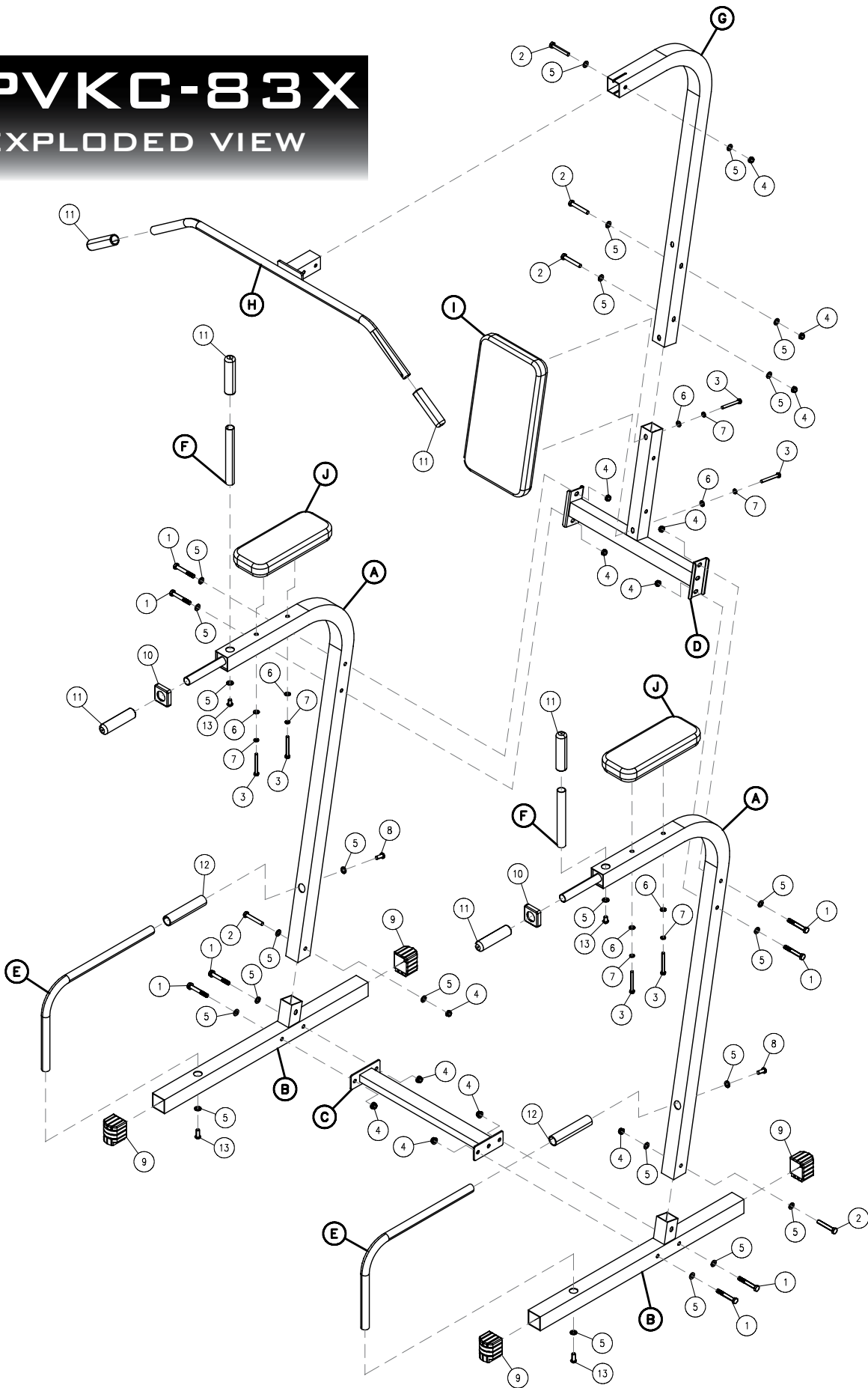


ABOVE SHOWS STEP 3
ASSEMBLED AND COMPLETED



PVKC-83X

EXPLODED VIEW





PVKC-83X

PLEASE WRITE YOUR SERIAL NUMBER IN THE BOXES BELOW

S/N # - - - -

Body-Solid®
Built for Life

1900 S. DES PLAINES AVE.
FOREST PARK, IL 60130
PHONE:(708)427-3555
FAX:(708)427-3556
HOURS: M-F 8:30 - 5:00 CST

www.bodysolid.com

The card has a black top section with the logo and a grey bottom section with contact information. The text is white and black.

© Copyright 2011. Body-Solid. All rights reserved. Body-Solid reserves the right to change design and specifications when we feel it will improve the product. Body-Solid machines maintain several patented and patent pending features and designs. All rights reserved on all design patents and utility patents.